



## Calibration

# Portable multi-function calibrator Model CPH8000

WIKA data sheet CT 18.03



for further approvals  
see page 4

### Applications

- Calibration service companies and service industry
- Measurement and control laboratories
- Quality assurance

### Special features

- Measurement and simulation of the following parameters: pressure, electrical signals (mA, mV, V,  $\Omega$ ), temperature (TC, RTD), frequency and pulse
- Large colour touchscreen display with new intuitive and user-friendly interface
- Internal pressure/vacuum generation
- Option: intrinsically safe version, II 2G Ex ib IIC T4 Gb -  $T_{amb}$ : -10 ... +50 °C
- Option: integrated HART® module for communication with HART® instruments



**Left: Model CPH8000-ET (Hand-held design)**  
**Right: Model CPH8000-P1 (case design)**

## Description

### General

Due to their versatility, the portable multi-function calibrators are ideally suited for on-field testing and calibration of industrial measuring instruments. The typical application is the calibration of pressure transmitters, pressure measuring instruments, temperature transmitters, temperature probes and other measuring instruments. The calibration data are stored in the instrument's memory. The communication with a PC is used to remotely control the unit and to download the calibration reports.

The instruments are the most advanced portable multi-function calibrators for the measurement and simulation of the following parameters: gauge and absolute pressure, electrical signals (mA, mV, V,  $\Omega$ ), temperature (TC, RTD), frequency and pulse. In addition, there is the possibility to include an optional HART® module which allows communication with HART® instruments.

### Features

The calibrators have a large touchscreen with a new intuitive user-friendly interface, that allows an easy and fast configuration of the calibrator. The availability of ATEX approval II 2G Ex ib IIC T4 Gb -  $T_{amb}$ : -10 ... +50 °C expands the possible applications of this calibrator into hazardous areas. Even in the ATEX version the DC 24 V voltage supply for external transmitters is available.

The calibrators have four measurement channels and are thus capable to carry out up to four simultaneous measures. For more flexibility on on-field calibrations, the instruments have an on-board memory for data storage that allows the evaluation of logged measuring values and calibration reports.

The multi-function calibrator can be modularly configured with up to two input and two output modules as well as one HART® module and one output module, which are galvanically isolated from each other. The measurement/simulation of the electrical signals or temperature as well as up to six pressure sensors (four internal and two external sensors) enables the operator to configure the calibrator according to his specific requirements.

The new multi-function calibrator model CPH8000 includes the new high-precision sensors manufactured by Mensor.

The internal reference sensor CPR8100 and the external reference sensor CPT8100 can be configured for gauge or absolute pressure types and is characterised over the full pressure and temperature range to achieve up to 0.02 % FS accuracy and up to 0.02 % of reading accuracy for the barometer.

The environmental parameters module (option) is another plus of CPH8000, it allows the monitoring of the barometric pressure, the ambient temperature and the relative humidity. The values will be stored in the calibration report.

## Pressure

The model CPH8000-P1 has an integrated pressure/vacuum generation by means of a built-in hand pump from -0.9 ... +21 bar [-13 ... +300 psi]. The presence of a fine precision regulator allows the operator to adjust small pressure increments.

Many different pressure configurations are available, e.g.:

- In combination with internal pressure sensors that can be connected to the internal pump (up to 21 bar [300 psi]).
- In combination with external pressure sensors that can be connected directly to the external plugs.

Low-pressure internal sensors are protected against overpressure by means of protection valves. High flexibility in measurement is given by the availability of multiple pressure engineering units.

## Specifications

Base instrument	
<b>Indication</b>	
Display	Touchscreen + 5 keys
Dimensions	640 x 480 Dots Dot size: 0.06 x 0.06 mm (0.002 x 0.002 in)
Backlighting	LED
<b>Electrical input and output</b>	
Number and type	DIN-plug inputs for electrical parameters, resistance thermometers and thermocouples
Resistance thermometer (RTD)	Pt100 (385, 3616, 3906, 3926, 3923), Pt200, Pt500, Pt1000 (385, 3916), Ni100, Ni120, Cu10, Cu100
Thermocouples	Types J, K, T, F, R, S, B, U, L, N, E, C
Voltage signal	Input: DC ±100 mV, ±2 V, ±80 V Output: DC 20 V
Current signal	Input: DC ±100 mA Output: DC 20 mA
Frequency signal	0 ... 50,000 Hz
Pulses signal	1 ... 999,999
Resistance	0 ... 10,000 Ω
Voltage supply	DC 24 V
<b>HART® communication</b>	
HART® module	Based on HART® universal and common practice commands
Resistance	HART® resistance 250 Ω (activatable)
Loop current	max. DC 24 mA
Voltage supply	DC 24 V


Base instrument	
<b>Connections</b>	
Pressure connection	1/8 BSP (female)
Overpressure safety	2 x pressure range; static pressure < 3.5 bar [< 50 psi]
Wetted parts	Ranges ≤ 0.350 bar [≤ 5 psi] - Silicon, 316 SS, glass-filled resins, epoxy Ranges > 0.350 ... 100 bar [> 5 ... 1,500 psi] - 316 SS Ranges > 100 bar [> 1,500 psi] - 316 SS, fluorocarbon rubber
Permissible media	Ranges ≤ 0.350 bar [≤ 5 psi] - clean, dry, non-corrosive gases Ranges > 0.350 bar [> 5 psi] - media compatible with the listed wetted parts
Compensated temperature range	-10 ... +50 °C [14 ... 122 °F]
<b>Measuring rate</b>	10 values/second, (not adjustable)
<b>Units</b>	bar, mbar, psi, psf, Pa, hPa, kPa, MPa, torr, atm, kg/cm <sup>2</sup> , kg/m <sup>2</sup> , mmHg (0 °C), cmHg (0 °C), mHg (0 °C), inHg (0 °C), mmH <sub>2</sub> O (4 °C), cmH <sub>2</sub> O (4 °C), mH <sub>2</sub> O (4 °C), inH <sub>2</sub> O (4 °C), ftH <sub>2</sub> O (4 °C)
<b>Voltage supply</b>	
Operating voltage	AC 100 ... 240 V, 50/60 Hz
Battery type	Rechargeable battery NiMH
Battery life (fully charged)	6 ... 8 hours for typical usage
<b>Permissible ambient conditions</b>	
Operating temperature	-10 ... +50 °C [14 ... 122 °F]
Storage temperature	-30 ... +80 °C [-22 ... +176 °F]
Relative humidity	Operating humidity: 10 ... 90 % r. h. (non-condensing) Storage humidity: 0 ... 90 % r. h. (non-condensing)

Case	
<b>Material</b>	Front panel aluminium
<b>Ingress protection</b>	IP54
<b>Dimensions</b>	330 x 270 x 170 mm [13 x 10.6 x 7 in]
<b>Weight</b>	approx. 3 kg [6 lbs 6 oz] (ET version) approx. 6 kg [13 lbs 2 oz] (P1 version)






Safety-related characteristic values	
<b>ATEX directive</b>	II 2G Ex ib IIC T4 Gb - T <sub>amb</sub> : -10 ... +50 °C
<b>Connection values</b>	
Max. voltage	U <sub>0</sub> = 29.7 V
Max. current	I <sub>0</sub> = 31 mA
Max. power	P <sub>0</sub> = 0.92 W
Max. effective internal capacitance	C <sub>0</sub> = 69 nF
Max. effective internal inductance	L <sub>0</sub> = 30 mH
<b>Power supply circuit</b>	
Max. voltage	U <sub>i</sub> = 30 V
Max. current	I <sub>i</sub> = 100 mA
Max. power	P <sub>i</sub> = 0.75 W
Max. effective internal capacitance	C <sub>i</sub> = negligible
Max. effective internal inductance	L <sub>i</sub> = negligible

## Approvals

### Approvals included in the scope of delivery

Logo	Description	Country
	<b>EU declaration of conformity</b>	European Union
	EMC directive EN 61326 emission (group 1, class B) and immunity (portable test and measuring equipment)	
	RoHS directive	

### Optional approvals

Logo	Description	Country
	<b>ATEX directive</b> Hazardous areas II 2G Ex ib IIC T4 Gb - Tamb: -10 ... +50 °C	European Union
	<b>IECEX</b> Hazardous areas Ex ib IIC T4 Gb - Tamb: -10 ... +50 °C	International
	<b>EAC</b> ■ Electromagnetic compatibility ■ Low voltage directive	Eurasian Economic Community
	<b>DNOP-MakNII</b> Hazardous areas	Ukraine
	<b>BelGIM</b> Metrology, measurement technology	Belarus
-	<b>MTSCHS</b> Permission for commissioning	Kazakhstan

## Certificates

Certificate	
<b>Calibration</b>	<ul style="list-style-type: none"> <li>■ 3.1 calibration certificate per DIN EN 10204</li> <li>■ ACCREDIA calibration certificate</li> </ul>
<b>Recommended recalibration interval</b>	1 year (dependent on conditions of use)

Approvals and certificates, see website

# Pressure module

## Internal sensors

(further pressure ranges available on request)

- One year specifications
- Pneumatic connection: depending on the model

Measuring range		Precision <sup>1)</sup> (% FS)	Accuracy <sup>2) 3)</sup> (% FS)	Resolution	
<b>Gauge pressure</b>					
-25... +25 mbar <sup>4)</sup>	[-10 ... +10 inH <sub>2</sub> O (4 °C)]	0.015	0.025	0.001 mbar	[0.00001 psi]
-100 ... +100 mbar	[-40 ... +40 inH <sub>2</sub> O (4 °C)]	0.015	0.025	0.001 mbar	[0.00001 psi]
-250 ... +250 mbar	[-100 ... +100 inH <sub>2</sub> O (4 °C)]	0.015	0.025	0.001 mbar	[0.00001 psi]
-400 ... +400 mbar	[-150 ... +150 inH <sub>2</sub> O (4 °C)]	0.015	0.025	0.001 mbar	[0.00001 psi]
-600 ... +600 mbar	[-8 ... +8 psi]	0.015	0.025	0.001 mbar	[0.00001 psi]
-900 ... +1,500 mbar	[-14.5 ... 20 psi]	0.015	0.025	0.01 mbar	[0.0001 psi]
-1 ... 7 bar	[-14.5 ... 100 psi]	0.015	0.025	0.01 mbar	[0.0001 psi]
-1 ... 10 bar	[-14.5 ... 150 psi]	0.015	0.025	0.1 mbar	[0.001 psi]
-1 ... 21 bar	[-14.5 ... 300 psi]	0.015	0.025	0.1 mbar	[0.001 psi]
-1 ... 40 bar <sup>4)</sup>	[-14.5 ... 500 psi] <sup>4)</sup>	0.015 <sup>4)</sup>	0.025 <sup>4)</sup>	0.1 mbar <sup>4)</sup>	[0.001 psi] <sup>4)</sup>
0 ... 60 bar <sup>4)</sup>	[0 ... 900 psi] <sup>4)</sup>	0.015 <sup>4)</sup>	0.025 <sup>4)</sup>	0.1 mbar <sup>4)</sup>	[0.001 psi] <sup>4)</sup>
0 ... 100 bar <sup>4)</sup>	[0 ... 1,500 psi] <sup>4)</sup>	0.015 <sup>4)</sup>	0.025 <sup>4)</sup>	1 mbar <sup>4)</sup>	[0.015 psi] <sup>4)</sup>
<b>Absolute pressure</b>					
552 ... 1.172 mbar abs.	[8 ... 17 psi abs.]	0.015	0.025	0.01 mbar	[0.0001 psi]
0 ... 1,500 mbar abs.	[0 ... 20 psi abs.]	0.015	0.025	0.01 mbar	[0.0001 psi]
0 ... 2,500 mbar abs.	[0 ... 30 psi abs.]	0.015	0.025	0.01 mbar	[0.0001 psi]
0 ... 7 bar abs.	[0 ... 100 psi abs.]	0.015	0.025	0.1 mbar	[0.0001 psi]
0 ... 11 bar abs.	[0 ... 165 psi abs.]	0.015	0.025	0.1 mbar	[0.001 psi]
0 ... 21 bar abs.	[0 ... 355 psi abs.]	0.015	0.025	0.1 mbar	[0.001 psi]
0 ... 81 bar abs. <sup>4)</sup>	[0 ... 1,015 psi abs.] <sup>4)</sup>	0.015 <sup>4)</sup>	0.025 <sup>4)</sup>	1 mbar <sup>4)</sup>	[0.015 psi] <sup>4)</sup>
0 ... 100 bar abs. <sup>4)</sup>	[0 ... 1,515 psi abs.] <sup>4)</sup>	0.015 <sup>4)</sup>	0.025 <sup>4)</sup>	1 mbar <sup>4)</sup>	[0.015 psi] <sup>4)</sup>

1) In general, "Precision" includes non-linearity, hysteresis and non-repeatability.

2) Premium accuracy 0.02 % FS available for some ranges on request.

3) It is defined by the total measurement uncertainty, which is expressed with the coverage factor (k = 2) and includes the following factors: the intrinsic performance of the instrument, the measurement uncertainty of the reference instrument, long-term stability, influence of ambient conditions, drift and temperature effects over the compensated range during a periodic zero point correction.

4) Only for model CPH8000-ET.

## External sensors

(further pressure ranges available on request)

- One year specifications
- Pneumatic connection: 1/2" BSP male, others available on request with adapters

Measuring range		Precision 1) (% FS)	Accuracy 2) 3) (% FS)	Resolution	
<b>Gauge pressure</b>					
-25...+25 mbar	[-10 ... +10 inH <sub>2</sub> O (4 °C)]	0.015	0.025	0.001 mbar	[0.00001 psi]
-100 ... +100 mbar	[-40 ... +40 inH <sub>2</sub> O (4 °C)]	0.015	0.025	0.001 mbar	[0.00001 psi]
-250 ... +250 mbar	[-100 ... +100 inH <sub>2</sub> O (4 °C)]	0.015	0.025	0.001 mbar	[0.00001 psi]
-400 ... +400 mbar	[-150 ... +150 inH <sub>2</sub> O (4 °C)]	0.015	0.025	0.001 mbar	[0.00001 psi]
-600 ... +600 mbar	[-8 ... +8 psi]	0.015	0.025	0.001 mbar	[0.00001 psi]
-900 ... +1,500 mbar	[-14.5 ... 20 psi]	0.015	0.025	0.01 mbar	[0.0001 psi]
-1 ... 7 bar	[-14.5 ... 100 psi]	0.015	0.025	0.1 mbar	[0.001 psi]
-1 ... 10 bar	[-14.5 ... 150 psi]	0.015	0.025	0.1 mbar	[0.001 psi]
-1 ... 21 bar	[-14.5 ... 300 psi]	0.015	0.025	0.1 mbar	[0.001 psi]
-1 ... 40 bar	[-14.5 ... 500 psi]	0.015	0.025	1 mbar	[0.015 psi]
0 ... 60 bar	[0 ... 900 psi]	0.015	0.025	1 mbar	[0.015 psi]
0 ... 100 bar	[0 ... 1,500 psi]	0.015	0.025	1 mbar	[0.015 psi]
0 ... 250 bar	[0 ... 3,000 psi]	0.015	0.025	1 mbar	[0.015 psi]
0 ... 400 bar	[0 ... 5,000 psi]	0.015	0.025	1 mbar	[0.015 psi]
0 ... 700 bar	[0 ... 10,000 psi]	0.015	0.025	1 mbar	[0.015 psi]
<b>Absolute pressure</b>					
552 ... 1.172 mbar abs.	[8 ... 17 psi abs.]	0.015	0.025	0.01 mbar	[0.0001 psi]
0 ... 1,500 mbar abs.	[0 ... 20 psi abs.]	0.015	0.025	0.01 mbar	[0.0001 psi]
0 ... 2,500 mbar abs.	[0 ... 30 psi abs.]	0.015	0.025	0.01 mbar	[0.0001 psi]
0 ... 7 bar abs.	[0 ... 100 psi abs.]	0.015	0.025	0.1 mbar	[0.001 psi]
0 ... 11 bar abs.	[0 ... 165 psi abs.]	0.015	0.025	0.1 mbar	[0.001 psi]
0 ... 21 bar abs.	[0 ... 355 psi abs.]	0.015	0.025	0.1 mbar	[0.001 psi]
0 ... 81 bar abs.	[0 ... 1,015 psi abs.]	0.015	0.025	1 mbar	[0.015 psi]
0 ... 100 bar abs.	[0 ... 1,515 psi abs.]	0.015	0.025	1 mbar	[0.015 psi]

1) In general, "Precision" includes non-linearity, hysteresis and non-repeatability.

2) Premium accuracy 0.02 % FS available for some ranges on request.

3) It is defined by the total measurement uncertainty, which is expressed with the coverage factor (k = 2) and includes the following factors: the intrinsic performance of the instrument, the measurement uncertainty of the reference instrument, long-term stability, influence of ambient conditions, drift and temperature effects over the compensated range during a periodic zero point correction.

## Electrical input signal

Electrical signal	Measuring range	Full scale	Precision % of rdg ±% FS	Accuracy % of rdg ±% FS	Max. resolution
<b>DC voltage</b> 1) 2)	±100 mV 3)	100 mV	0.008 % ±0.002 % FS	0.01 % ±0.003 % FS	0.0001 mV
	±2 V 3)	2 V	0.008 % ±0.002 % FS	0.01 % ±0.003 % FS	0.000001 V
	±80 V 4)	80 V	0.008 % ±0.002 % FS	0.01 % ±0.003 % FS	0.00001 V
<b>DC current</b> 1) 5)	±100 mA	100 mA	0.008 % ±0.003 % FS	0.01 % ±0.003 % FS	0.0001 mA
<b>Resistance</b> 1) 6)	0 ... 400 Ω	400 Ω	0.008 % ±0.002 % FS	0.01 % ±0.003 % FS	0.001 Ω
	0 ... 10,000 Ω	10,000 Ω	0.008 % ±0.002 % FS	0.01 % ±0.003 % FS	0.01 Ω

Electrical signal	Measuring range	Full scale	Precision % of rdg ±% FS	Accuracy % of rdg ±% FS	Max. resolution
<b>Frequency 7)</b>	0.5 ... 10,000 Hz 8)	50,000 Hz	0.01 Hz	0.01 Hz	0.001 Hz
	10,000 ... 20,000 Hz 8)	50,000 Hz	0.1 Hz	0.1 Hz	0.001 Hz
	20,000 ... 30,000 Hz 9)	50,000 Hz	1 Hz	1 Hz	0.001 Hz
	30,000 ... 50,000 Hz 9)	50,000 Hz	20 Hz	20 Hz	0.001 Hz
<b>Pulses 10)</b>	1 ... 999,999	999,999	N/A	N/A	1

- 1) One year specifications with temperature effect:  
0.001 % of reading \* It - tcl for t: -10 °C ≤ t ≤ 19 °C and 23 °C ≤ t ≤ 50 °C and t<sub>c</sub> = 20 °C  
14 °F ≤ t ≤ 66.2 °F and 73.4 °F ≤ t ≤ 122 °F and t<sub>c</sub> = 68 °F
- 2) Maximum input voltage: DC ±100 V
- 3) Input resistance: > 100 MΩ
- 4) Input resistance: 0.5 MΩ
- 5) Maximum input current: ±120 mA; Input resistance: < 20 Ω
- 6) Measuring current: < 200 μA
- 7) Maximum input voltage: ±100 V; Input resistance: > 100 MΩ  
Minimum amplitude of square wave: 1.5 V p-p @ 50 kHz, 0.7 V p-p @ 5 Hz  
Configurable duty cycle from 10 % up to 90 % with minimum amplitude of 5 V p-p
- 8) For both frequency inputs simultaneously (IN A + IN B)
- 9) For only one frequency input (IN A or IN B) in the same time
- 10) Amplitude: 1 ... 80 V, frequency: 0.5 ... 20 Hz

## Electrical output signal

Electrical signal	Measuring range	Full scale	Precision % of rdg ±% FS	Accuracy % of rdg ±% FS	Max. resolution
<b>DC voltage 1)</b>	0 ... 100 mV 2)	100 mV	0.01 % ±0.003 % FS	0.015 % ±0.003 % FS	0.0001 mV
	0 ... 2 V 3)	2 V	0.01 % ±0.003 % FS	0.015 % ±0.003 % FS	0.000001 V
	0 ... 20 V 3)	20 V	0.015 % ±0.003 % FS	0.02 % ±0.003 % FS	0.00001 V
<b>DC current 4)</b>	0 ... 20 mA 5)	20 mA	0.02 % ±0.003 % FS	0.025 % ±0.003 % FS	0.0001 mA
<b>Resistance 4)</b>	0 ... 400 Ω	400 Ω	0.008 % ±0.003 % FS	0.01 % ±0.003 % FS	0.001 Ω
	0 ... 10,000 Ω	10,000 Ω	0.008 % ±0.002 % FS	0.01 % ±0.002 % FS	0.01 Ω
<b>Frequency</b>	0.5 ... 20,000 Hz	20,000 Hz	0.1 Hz	0.1 Hz	0.001 Hz
<b>Pulses 6)</b>	1 ... 999,999	999,999	N/A	N/A	1

- 1) One year specifications with temperature effect:  
0.001 % output \* It - tcl for t: -10 °C ≤ t ≤ 19 °C and 23 °C ≤ t ≤ 50 °C and t<sub>c</sub> = 20 °C  
14 °F ≤ t ≤ 66.2 °F and 73.4 °F ≤ t ≤ 122 °F and t<sub>c</sub> = 68 °F
- 2) Output resistance = 10 Ω - Rlmin > 1 kΩ
- 3) Output resistance < 30 mΩ - Rlmin > 1 kΩ
- 4) One year specifications with temperature effect:  
0.002 % output \* It - tcl for t: -10 °C ≤ t ≤ 19 °C and 23 °C ≤ t ≤ 50 °C and t<sub>c</sub> = 20 °C  
14 °F ≤ t ≤ 66.2 °F and 73.4 °F ≤ t ≤ 122 °F and t<sub>c</sub> = 68 °F
- 5) Output resistance > 100 MΩ - Rlmax < 750 Ω
- 6) Amplitude: 0.1 ... 15 Vrms, frequency: 0.5 ... 200 Hz

### HART® module:

- For communication with HART® instruments
- Supports a selected set of HART® universal and common practice commands
- Read basic device information and trim the mA output on most HART® enabled transmitters
- No necessity to use DDL specific libraries
- Integrated 250 Ω resistance
- Integrated 24 V voltage supply

### HART® communication:

The calibrator offers an optional HART® module with following commands:

- Read unique identifier
- Read current and percentage of range
- Read current and four (predefined) dynamic variables
- Read tag (TAG), descriptor (DD), date
- Read PV sensor information
- Read output information
- Write tag (TAG), descriptor (DD), date
- Enable/disable fixed current mode
- Trim DAC zero
- Trim DAC gain

## Resistance thermometer measurement

- One year specifications
- Temperature effect see "Electrical input signal/Resistance"
- Measuring current: < 200  $\mu$ A
- Specification for 4-wire measurements with  $I_{\text{meas.}} < 0.2 \text{ mA}$

Output signals	Measuring range	Precision	Accuracy	Resolution
<b>Pt100 (385) <sup>1)</sup></b>	-200 ... 0 °C [-328 ... +32 °F]	0.05 °C [0.09 °F]	0.06 °C [0.11 °F]	0.01 °C [0.02 °F]
	0 ... 300 °C [32 ... 572 °F]	0.07 °C [0.13 °F]	0.09 °C [0.16 °F]	
	300 ... 850 °C [572 ... 1,562 °F]	0.15 °C [0.27 °F]	0.17 °C [0.31 °F]	
<b>Pt100 (3916) <sup>2)</sup></b>	-200 ... 0 °C [-328 ... +32 °F]	0.05 °C [0.09 °F]	0.06 °C [0.11 °F]	0.01 °C [0.02 °F]
	0 ... 300 °C [32 ... 572 °F]	0.07 °C [0.13 °F]	0.09 °C [0.16 °F]	
	300 ... 850 °C [572 ... 1,562 °F]	0.15 °C [0.27 °F]	0.17 °C [0.31 °F]	
<b>Pt100 (3902) <sup>3)</sup></b>	-200 ... 0 °C [-328 ... +32 °F]	0.05 °C [0.09 °F]	0.06 °C [0.11 °F]	0.01 °C [0.02 °F]
	0 ... 300 °C [32 ... 572 °F]	0.07 °C [0.13 °F]	0.09 °C [0.16 °F]	
	300 ... 850 °C [572 ... 1,562 °F]	0.15 °C [0.27 °F]	0.17 °C [0.31 °F]	
<b>Pt100 (3926) <sup>4)</sup></b>	-200 ... 0 °C [-328 ... +32 °F]	0.05 °C [0.09 °F]	0.06 °C [0.11 °F]	0.01 °C [0.02 °F]
	0 ... 300 °C [32 ... 572 °F]	0.07 °C [0.13 °F]	0.09 °C [0.16 °F]	
	300 ... 850 °C [572 ... 1,562 °F]	0.15 °C [0.27 °F]	0.17 °C [0.31 °F]	
<b>Pt100 (3923) <sup>5)</sup></b>	-200 ... 0 °C [-328 ... +32 °F]	0.05 °C [0.09 °F]	0.06 °C [0.11 °F]	0.01 °C [0.02 °F]
	0 ... 300 °C [32 ... 572 °F]	0.07 °C [0.13 °F]	0.09 °C [0.16 °F]	
	300 ... 850 °C [572 ... 1,562 °F]	0.15 °C [0.27 °F]	0.17 °C [0.31 °F]	
<b>Pt200 (385) <sup>1)</sup></b>	-200 ... 0 °C [-328 ... +32 °F]	0.05 °C [0.09 °F]	0.06 °C [0.11 °F]	0.01 °C [0.02 °F]
	0 ... 300 °C [32 ... 572 °F]	0.09 °C [0.16 °F]	0.1 °C [0.18 °F]	
	300 ... 850 °C [572 ... 1,562 °F]	0.18 °C [0.32 °F]	0.21 °C [0.38 °F]	
<b>Pt500 (385) <sup>1)</sup></b>	-200 ... 0 °C [-328 ... +32 °F]	0.05 °C [0.09 °F]	0.06 °C [0.11 °F]	0.01 °C [0.02 °F]
	0 ... 300 °C [32 ... 572 °F]	0.09 °C [0.16 °F]	0.1 °C [0.18 °F]	
	300 ... 850 °C [572 ... 1,562 °F]	0.18 °C [0.32 °F]	0.21 °C [0.38 °F]	
<b>Pt1000 (385) <sup>1)</sup></b>	-200 ... 0 °C [-328 ... +32 °F]	0.05 °C [0.09 °F]	0.06 °C [0.11 °F]	0.01 °C [0.02 °F]
	0 ... 300 °C [32 ... 572 °F]	0.09 °C [0.16 °F]	0.1 °C [0.18 °F]	
	300 ... 850 °C [572 ... 1,562 °F]	0.18 °C [0.32 °F]	0.21 °C [0.38 °F]	
<b>Pt1000 (3916) <sup>2)</sup></b>	-200 ... 0 °C [-328 ... +32 °F]	0.05 °C [0.09 °F]	0.06 °C [0.11 °F]	0.01 °C [0.02 °F]
	0 ... 300 °C [32 ... 572 °F]	0.09 °C [0.16 °F]	0.1 °C [0.18 °F]	
	300 ... 850 °C [572 ... 1,562 °F]	0.18 °C [0.32 °F]	0.21 °C [0.38 °F]	
<b>Cu10 (42) <sup>6)</sup></b>	-70 ... 0 °C [-94 ... +32 °F]	0.23 °C [0.41 °F]	0.28 °C [0.5 °F]	0.1 °C [0.18 °F]
	0 ... 40 °C [32 ... 104 °F]	0.24 °C [0.43 °F]	0.29 °C [0.52 °F]	
	40 ... 150 °C [104 ... 302 °F]	0.27 °C [0.49 °F]	0.3 °C [0.54 °F]	
<b>Cu100 <sup>7)</sup></b>	-180 ... 0 °C [-295 ... +32 °F]	0.06 °C [0.11 °F]	0.07 °C [0.13 °F]	0.01 °C [0.02 °F]
	0 ... 80 °C [32 ... 176 °F]	0.07 °C [0.13 °F]	0.08 °C [0.14 °F]	
	80 ... 150 °C [176 ... 302 °F]	0.08 °C [0.14 °F]	0.09 °C [0.16 °F]	
<b>Ni100 (617) <sup>8)</sup></b>	-60 ... 0 °C [-76 ... 32 °F]	0.04 °C [0.07 °F]	0.05 °C [0.09 °F]	0.01 °C [0.02 °F]
	0 ... 100 °C [32 ... 212 °F]	0.05 °C [0.09 °F]	0.06 °C [0.11 °F]	
	100 ... 180 °C [212 ... 356 °F]			
<b>Ni120 (672) <sup>9)</sup></b>	0 ... 100 °C [32 ... 212 °F]	0.04 °C [0.07 °F]	0.05 °C [0.09 °F]	0.01 °C [0.02 °F]
	100 ... 150 °C [212 ... 302 °F]	0.05 °C [0.09 °F]		

- 1) IEC 751 ( $\alpha = 0.00385 \text{ } ^\circ\text{C}^{-1}$ )  
 2) JIS C1604 ( $\alpha = 0.003916 \text{ } ^\circ\text{C}^{-1}$ )  
 3) U.S. Standard ( $\alpha = 0.003902 \text{ } ^\circ\text{C}^{-1}$ )  
 4) Old U.S. Standard ( $\alpha = 0.003926 \text{ } ^\circ\text{C}^{-1}$ )  
 5) SAMA ( $\alpha = 0.003923 \text{ } ^\circ\text{C}^{-1}$ )  
 6)  $\alpha = 0.0042 \text{ } ^\circ\text{C}^{-1}$   
 7)  $\alpha = 0.0042 \text{ } ^\circ\text{C}^{-1}$   
 8) DIN 43760 ( $\alpha = 0.00617 \text{ } ^\circ\text{C}^{-1}$ )  
 9)  $\alpha = 0.00672 \text{ } ^\circ\text{C}^{-1}$



## Resistance thermometer simulation

- One year specifications
- Temperature effect see "Electrical output signal/Resistance"

Output signals	Measuring range	Precision	Accuracy	Resolution
<b>Pt100 (385) <sup>1)</sup></b>	-200 ... 0 °C [-328 ... +32 °F]	0.05 °C [0.09 °F]	0.06 °C [0.11 °F]	0.01 °C [0.02 °F]
	0 ... 300 °C [32 ... 572 °F]	0.07 °C [0.13 °F]	0.09 °C [0.16 °F]	
	300 ... 850 °C [572 ... 1,562 °F]	0.15 °C [0.27 °F]	0.17 °C [0.31 °F]	
<b>Pt100 (3916) <sup>2)</sup></b>	-200 ... 0 °C [-328 ... +32 °F]	0.05 °C [0.09 °F]	0.06 °C [0.11 °F]	0.01 °C [0.02 °F]
	0 ... 300 °C [32 ... 572 °F]	0.07 °C [0.13 °F]	0.09 °C [0.16 °F]	
	300 ... 850 °C [572 ... 1,562 °F]	0.15 °C [0.27 °F]	0.17 °C [0.31 °F]	
<b>Pt100 (3902) <sup>3)</sup></b>	-200 ... 0 °C [-328 ... +32 °F]	0.05 °C [0.09 °F]	0.06 °C [0.11 °F]	0.01 °C [0.02 °F]
	0 ... 300 °C [32 ... 572 °F]	0.07 °C [0.13 °F]	0.09 °C [0.16 °F]	
	300 ... 850 °C [572 ... 1,562 °F]	0.15 °C [0.27 °F]	0.17 °C [0.31 °F]	
<b>Pt100 (3926) <sup>4)</sup></b>	-200 ... 0 °C [-328 ... +32 °F]	0.05 °C [0.09 °F]	0.06 °C [0.11 °F]	0.01 °C [0.02 °F]
	0 ... 300 °C [32 ... 572 °F]	0.07 °C [0.13 °F]	0.09 °C [0.16 °F]	
	300 ... 850 °C [572 ... 1,562 °F]	0.15 °C [0.27 °F]	0.17 °C [0.31 °F]	
<b>Pt100 (3923) <sup>5)</sup></b>	-200 ... 0 °C [-328 ... +32 °F]	0.05 °C [0.09 °F]	0.06 °C [0.11 °F]	0.01 °C [0.02 °F]
	0 ... 300 °C [32 ... 572 °F]	0.07 °C [0.13 °F]	0.09 °C [0.16 °F]	
	300 ... 850 °C [572 ... 1,562 °F]	0.15 °C [0.27 °F]	0.17 °C [0.31 °F]	
<b>Pt200 (385) <sup>1)</sup></b>	-200 ... 0 °C [-328 ... +32 °F]	0.05 °C [0.09 °F]	0.06 °C [0.11 °F]	0.01 °C [0.02 °F]
	0 ... 300 °C [32 ... 572 °F]	0.09 °C [0.16 °F]	0.1 °C [0.18 °F]	
	300 ... 850 °C [572 ... 1,562 °F]	0.18 °C [0.32 °F]	0.21 °C [0.38 °F]	
<b>Pt500 (385) <sup>1)</sup></b>	-200 ... 0 °C [-328 ... +32 °F]	0.05 °C [0.09 °F]	0.06 °C [0.11 °F]	0.01 °C [0.02 °F]
	0 ... 300 °C [32 ... 572 °F]	0.09 °C [0.16 °F]	0.1 °C [0.18 °F]	
	300 ... 850 °C [572 ... 1,562 °F]	0.18 °C [0.32 °F]	0.21 °C [0.38 °F]	
<b>Pt1000 (385) <sup>1)</sup></b>	-200 ... 0 °C [-328 ... +32 °F]	0.05 °C [0.09 °F]	0.06 °C [0.11 °F]	0.01 °C [0.02 °F]
	0 ... 300 °C [32 ... 572 °F]	0.09 °C [0.16 °F]	0.1 °C [0.18 °F]	
	300 ... 850 °C [572 ... 1,562 °F]	0.18 °C [0.32 °F]	0.21 °C [0.38 °F]	
<b>Pt1000 (3916) <sup>2)</sup></b>	-200 ... 0 °C [-328 ... +32 °F]	0.05 °C [0.09 °F]	0.06 °C [0.11 °F]	0.01 °C [0.02 °F]
	0 ... 300 °C [32 ... 572 °F]	0.09 °C [0.16 °F]	0.1 °C [0.18 °F]	
	300 ... 850 °C [572 ... 1,562 °F]	0.18 °C [0.32 °F]	0.21 °C [0.38 °F]	
<b>Cu10 (42) <sup>6)</sup></b>	-70 ... 0 °C [-94 ... +32 °F]	0.23 °C [0.41 °F]	0.28 °C [0.5 °F]	0.1 °C [0.18 °F]
	0 ... 40 °C [32 ... 104 °F]	0.24 °C [0.43 °F]	0.29 °C [0.52 °F]	
	40 ... 150 °C [104 ... 302 °F]	0.27 °C [0.49 °F]	0.3 °C [0.54 °F]	
<b>Cu100 <sup>7)</sup></b>	-180 ... 0 °C [-295 ... +32 °F]	0.06 °C [0.11 °F]	0.07 °C [0.13 °F]	0.01 °C [0.02 °F]
	0 ... 80 °C [32 ... 176 °F]	0.07 °C [0.13 °F]	0.08 °C [0.14 °F]	
	80 ... 150 °C [176 ... 302 °F]	0.08 °C [0.14 °F]	0.09 °C [0.16 °F]	
<b>Ni100 (617) <sup>8)</sup></b>	-60 ... 0 °C [-76 ... 32 °F]	0.04 °C [0.07 °F]	0.05 °C [0.09 °F]	0.01 °C [0.02 °F]
	0 ... 100 °C [32 ... 212 °F]	0.05 °C [0.09 °F]	0.06 °C [0.11 °F]	
	100 ... 180 °C [212 ... 356 °F]			
<b>Ni120 (672) <sup>9)</sup></b>	0 ... 100 °C [32 ... 212 °F]	0.04 °C [0.07 °F]	0.05 °C [0.09 °F]	0.01 °C [0.02 °F]
	100 ... 150 °C [212 ... 302 °F]	0.05 °C [0.09 °F]		

- 1) IEC 751 ( $\alpha = 0.00385 \text{ } ^\circ\text{C}^{-1}$ )  
 2) JIS C1604 ( $\alpha = 0.003916 \text{ } ^\circ\text{C}^{-1}$ )  
 3) U.S. Standard ( $\alpha = 0.003902 \text{ } ^\circ\text{C}^{-1}$ )  
 4) Old U.S. Standard ( $\alpha = 0.003926 \text{ } ^\circ\text{C}^{-1}$ )  
 5) SAMA ( $\alpha = 0.003923 \text{ } ^\circ\text{C}^{-1}$ )  
 6)  $\alpha = 0.0042 \text{ } ^\circ\text{C}^{-1}$   
 7)  $\alpha = 0.0042 \text{ } ^\circ\text{C}^{-1}$   
 8) DIN 43760 ( $\alpha = 0.00617 \text{ } ^\circ\text{C}^{-1}$ )  
 9)  $\alpha = 0.00672 \text{ } ^\circ\text{C}^{-1}$

## Thermocouple measurement

Input signals	Measuring range		Linearity error		Resolution		Precision % of rdg ±% FS	Accuracy % of rdg ±% FS
Type J 1)	-190 ... 0 °C	[-310 ... +32 °F]	0.05 °C	[0.09 °F]	0.01 °C	[0.02 °F]	0.008 % ±0.002 % FS	0.01 % ±0.003 % FS
	0 ... 1,200 °C	[32 ... 2,192 °F]	0.04 °C	[0.07 °F]				
Type K 1)	-160 ... 0 °C	[-256 ... +32 °F]	0.06 °C	[0.11 °F]	0.01 °C	[0.02 °F]	0.008 % ±0.002 % FS	0.01 % ±0.003 % FS
	0 ... 1,260 °C	[32 ... 2,300 °F]	0.04 °C	[0.07 °F]				
Type T 1)	-130 ... 0 °C	[-202 ... +32 °F]	0.05 °C	[0.09 °F]	0.01 °C	[0.02 °F]	0.01 % ±0.003 % FS	0.01 % ±0.003 % FS
	0 ... 400 °C	[32 ... 752 °F]	0.04 °C	[0.07 °F]				
Type F 1)	0 ... 400 °C	[32 ... 752 °F]	0.05 °C	[0.09 °F]	0.1 °C	[0.18 °F]	0.008 % ±0.002 % FS	0.01 % ±0.003 % FS
Type R	160 ... 1,760 °C	[320 ... 3,200 °F]	0.04 °C	[0.07 °F]	0.1 °C	[0.18 °F]	0.008 % ±0.002 % FS	0.01 % ±0.003 % FS
Type S	170 ... 1,760 °C	[338 ... 3,200 °F]	0.04 °C	[0.07 °F]	0.1 °C	[0.18 °F]	0.008 % ±0.002 % FS	0.01 % ±0.003 % FS
Type B 1)	920 ... 1,820 °C	[1,688 ... 3,308 °F]	0.1 °C	[0.18 °F]	0.1 °C	[0.18 °F]	0.008 % ±0.002 % FS	0.01 % ±0.003 % FS
Type U 1)	-160 ... 0 °C	[-256 ... +32 °F]	0.04 °C	[0.07 °F]	0.01 °C	[0.02 °F]	0.008 % ±0.002 % FS	0.01 % ±0.003 % FS
	0 ... 400 °C	[32 ... 752 °F]						
Type L 1)	-200 ... 0 °C	[-328 ... +32 °F]	0.03 °C	[0.05 °F]	0.01 °C	[0.02 °F]	0.008 % ±0.002 % FS	0.01 % ±0.003 % FS
	0 ... 760 °C	[32 ... 1,400 °F]	0.04 °C	[0.07 °F]				
Type N	0 ... 1,300 °C	[32 ... 2,372 °F]	0.04 °C	[0.07 °F]	0.01 °C	[0.02 °F]	0.008 % ±0.002 % FS	0.01 % ±0.003 % FS
Type E	-200 ... 0 °C	[-328 ... +32 °F]	0.03 °C	[0.05 °F]	0.01 °C	[0.02 °F]	0.008 % ±0.002 % FS	0.01 % ±0.003 % FS
	0 ... 1,000 °C	[32 ... 1,832 °F]	0.04 °C	[0.07 °F]				
Type C 1)	0 ... 2,000 °C	[32 ... 3,632 °F]	0.05 °C	[0.09 °F]	0.1 °C	[0.18 °F]	0.008 % ±0.002 % FS	0.01 % ±0.003 % FS

- 1) Precision and accuracy of the electromagnetic field values (emf values)  
 For measurements with internal cold junction compensation: cold junction error = 0.15 °C  
 Maximum input voltage: DC ±100 V  
 Input resistance: > 100 MΩ  
 Temperature effect:  
 0.001 % of reading \* |t - t<sub>c</sub>| for t: -10 °C ≤ t ≤ 19 °C and 23 °C ≤ t ≤ 50 °C and t<sub>c</sub> = 20 °C  
 14 °F ≤ t ≤ 66.2 °F and 73.4 °F ≤ t ≤ 122 °F and t<sub>c</sub> = 68 °F  
 One year specifications

## Thermocouple simulation

Output signals	Measuring range		Linearity error		Resolution		Precision % of rdg ±% FS	Accuracy % of rdg ±% FS
Type J 1)	-190 ... 0 °C	[-310 ... +32 °F]	0.05 °C	[0.09 °F]	0.01 °C	[0.02 °F]	0.01 % ±0.003 % FS	0.015 % ±0.003 % FS
	0 ... 1,200 °C	[32 ... 2,192 °F]	0.04 °C	[0.07 °F]				
Type K 1)	-160 ... 0 °C	[-256 ... +32 °F]	0.06 °C	[0.11 °F]	0.01 °C	[0.02 °F]	0.01 % ±0.003 % FS	0.015 % ±0.003 % FS
	0 ... 1,260 °C	[32 ... 2,300 °F]	0.04 °C	[0.07 °F]				
Type T 1)	-130 ... 0 °C	[-202 ... +32 °F]	0.05 °C	[0.09 °F]	0.01 °C	[0.02 °F]	0.01 % ±0.003 % FS	0.015 % ±0.003 % FS
	0 ... 400 °C	[32 ... 752 °F]	0.04 °C	[0.07 °F]				
Type F 1)	0 ... 400 °C	[32 ... 752 °F]	0.05 °C	[0.09 °F]	0.1 °C	[0.18 °F]	0.01 % ±0.003 % FS	0.015 % ±0.003 % FS
Type R	160 ... 1,760 °C	[320 ... 3,200 °F]	0.04 °C	[0.07 °F]	0.1 °C	[0.18 °F]	0.01 % ±0.003 % FS	0.015 % ±0.003 % FS
Type S	170 ... 1,760 °C	[338 ... 3,200 °F]	0.04 °C	[0.07 °F]	0.1 °C	[0.18 °F]	0.01 % ±0.003 % FS	0.015 % ±0.003 % FS
Type B 1)	920 ... 1,820 °C	[1,688 ... 3,308 °F]	0.1 °C	[0.18 °F]	0.1 °C	[0.18 °F]	0.01 % ±0.003 % FS	0.015 % ±0.003 % FS
Type U 1)	-160 ... 0 °C	[-256 ... +32 °F]	0.04 °C	[0.07 °F]	0.01 °C	[0.02 °F]	0.01 % ±0.003 % FS	0.015 % ±0.003 % FS
	0 ... 400 °C	[32 ... 752 °F]						
Type L 1)	-200 ... 0 °C	[-328 ... +32 °F]	0.03 °C	[0.05 °F]	0.01 °C	[0.02 °F]	0.01 % ±0.003 % FS	0.015 % ±0.003 % FS
	0 ... 760 °C	[32 ... 1,400 °F]	0.04 °C	[0.07 °F]				
Type N	0 ... 1,300 °C	[32 ... 2,372 °F]	0.04 °C	[0.07 °F]	0.01 °C	[0.02 °F]	0.01 % ±0.003 % FS	0.015 % ±0.003 % FS

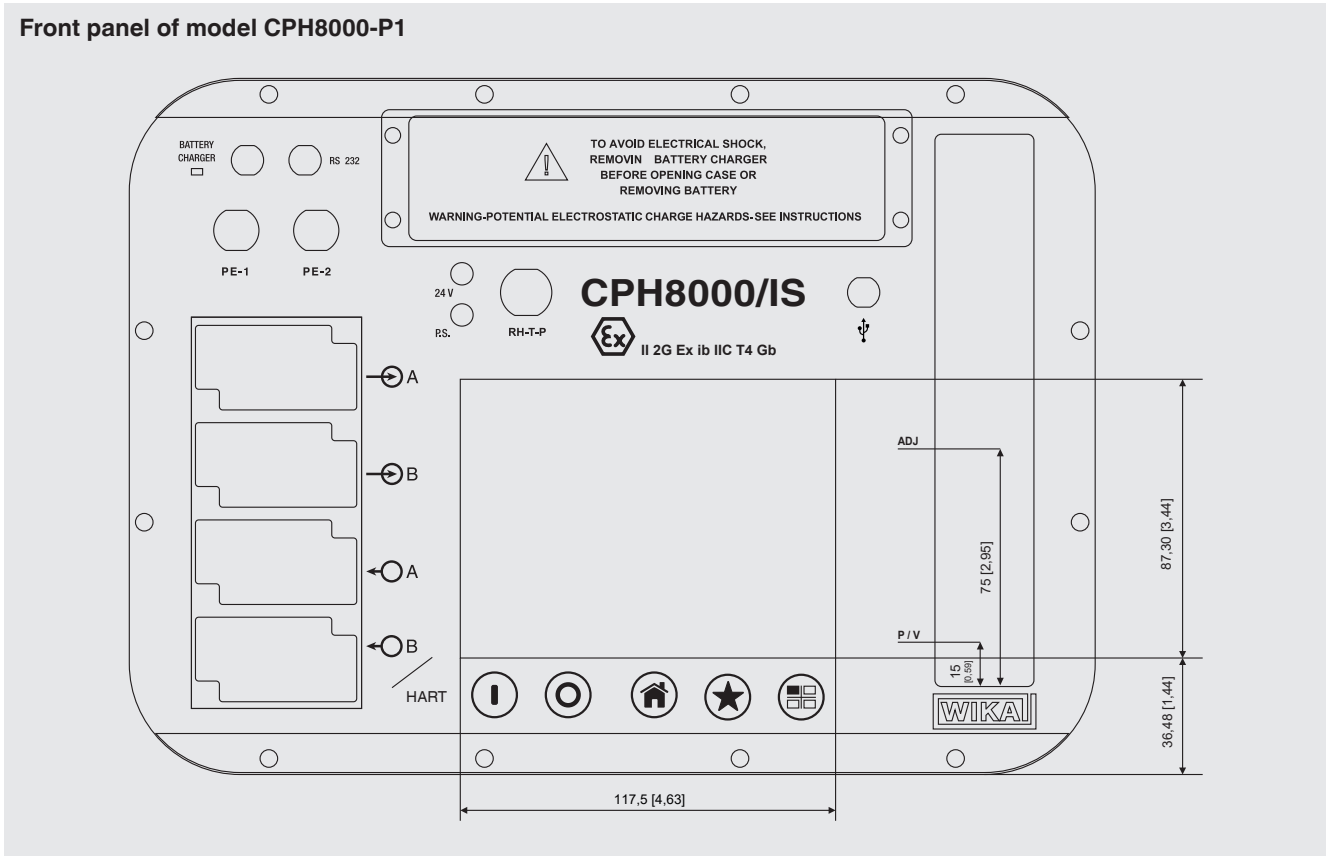
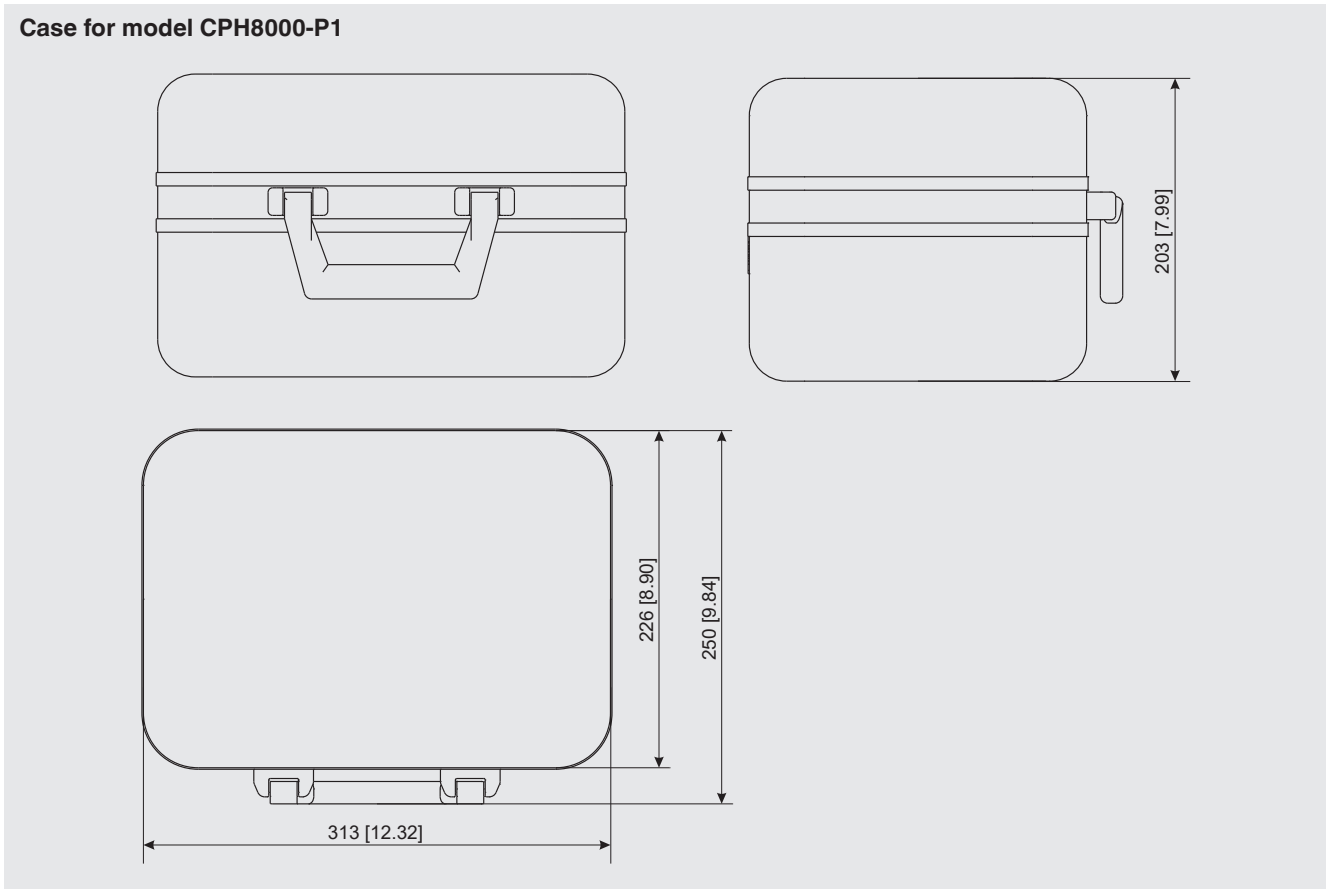
Output signals	Measuring range		Linearity error		Resolution		Precision % of rdg ±% FS	Accuracy % of rdg ±% FS
	<b>Type E</b>	-200 ... 0 °C	[-328 ... +32 °F]	0.03 °C	[0.05 °F]	0.01 °C	[0.02 °F]	0.01 % ±0.003 % FS
0 ... 1,000 °C		[32 ... 1,832 °F]	0.04 °C	[0.07 °F]				
<b>Type C 1)</b>	0 ... 2,000 °C	[32 ... 3,632 °F]	0.05 °C	[0.09 °F]	0.1 °C	[0.18 °F]	0.01 % ±0.003 % FS	0.015 % ±0.003 % FS

1) Precision and accuracy of the electromagnetic field generation (emf generation)  
For temperature simulation with internal cold junction compensation: cold junction error = 0.15 °C

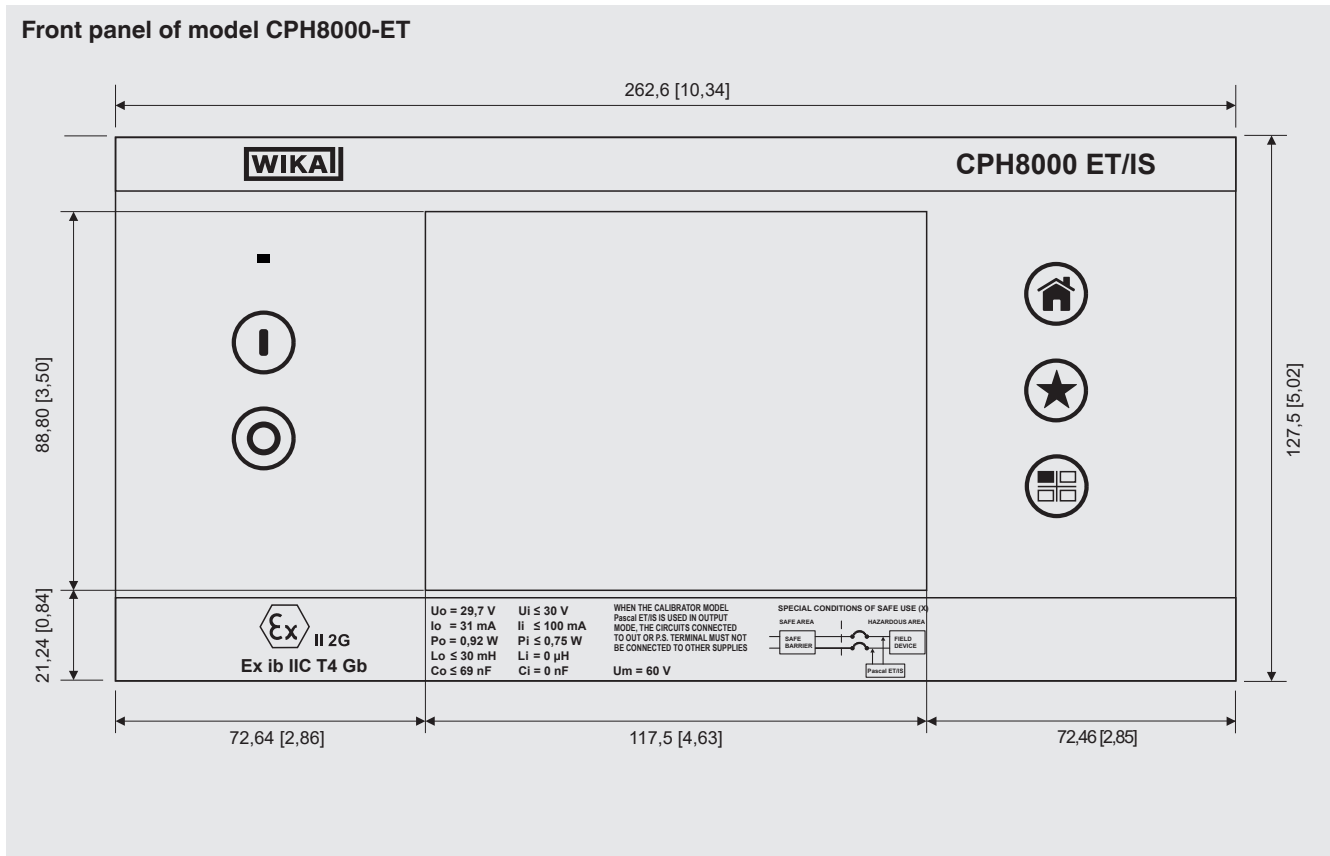
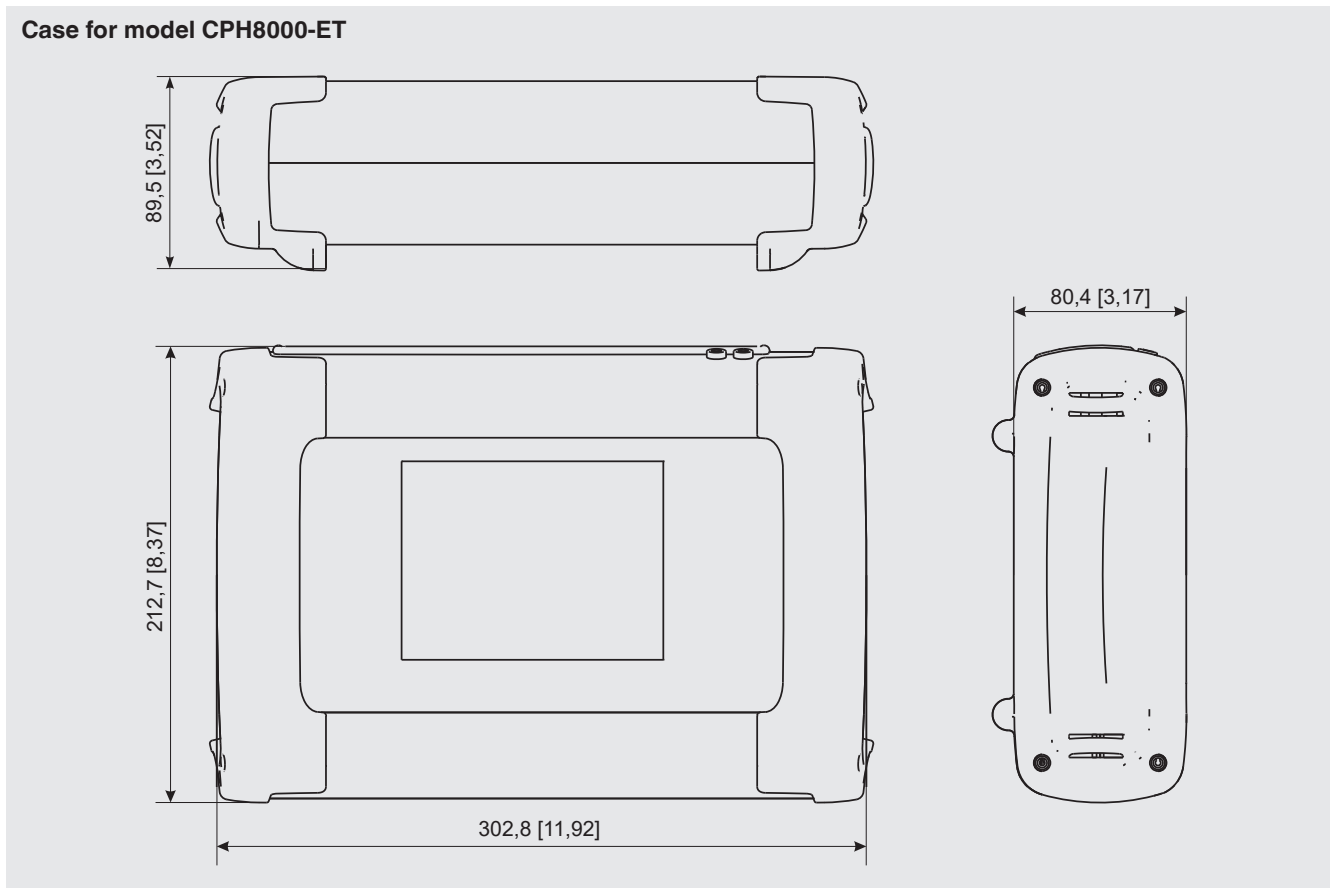
## Ambient module

Parameter	Measuring range		Precision	Accuracy	Max. resolution	
<b>Temperature</b>	-10 ... +50 °C	[14 ... 122 °F]	2.7 °C [4.86 °F]	3.0 °C [5.4 °F]	0.1 °C	[0.18 °F]
<b>Barometric pressure</b>	650 ... 1,150 mbar	[9.43 ... 16.68 psi]	4 % FS	5 % FS	1 mbar	[0.015 psi]
<b>Relative humidity</b>	10 ... 90 % r. h.		12 %	15 %	1 %	

# Dimensions in mm [in]



## Dimensions in mm [in]





## Software

### CPH8000 report software

The CPH8000 report software allows the configuration in A4 format of the calibration reports and/or certificates according to users standards.

Importing stored reports from the instrument by RS-232 serial interface/USB (with adapter) makes Pascal report the safer software system to support any calibration procedure in accordance with ISO 9000 standards.

### PasLog software

The PasLog software allows the download and the management of the logging data from the instrument to the PC. Data can be displayed and print out in a tabular format as well as in a graphical one. The user interface can be customised.

## Scope of delivery

- Portable multi-function calibrator model CPH8000
- Operating instructions
- AC adapter
- CPH8000 report software
- RS-232 interface cable
- RS-232 to USB adapter
- Test-cable set; order no. 241076
- Pneumatic pressure set; order no. 241028 and 241029 (depending on pressure range)
- 3.1 calibration certificate per DIN EN 10204

## Option

- ATEX approval
- IECEx approval
- ACCREDIA calibration certificate
- Ambient module module
- Liquid trap
- Hydraulic test pumps
- Pneumatic test pumps
- PasLog software

## Ordering information

Version / Explosion protection / Electrical input module / Electrical module calibration / Electrical output module / Electrical module calibration / Ambient module / Ambient module calibration / Internal pressure sensor / Barometer / Barometer calibration / Connection for external reference sensor CPT8100 / Liquid trap / Software / USB-port / Package / Additional order information

© 10/2020/ WIKA Alexander Wiegand SE & Co. KG, all rights reserved.  
The specifications given in this document represent the state of engineering at the time of publishing.  
We reserve the right to make modifications to the specifications and materials.

